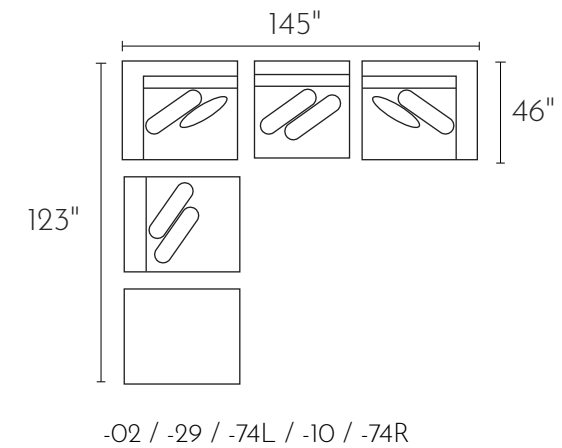
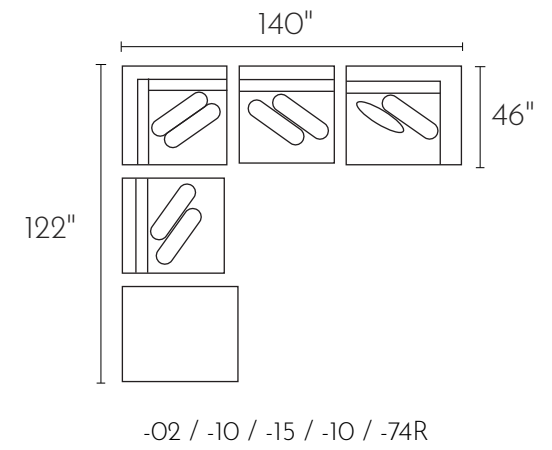
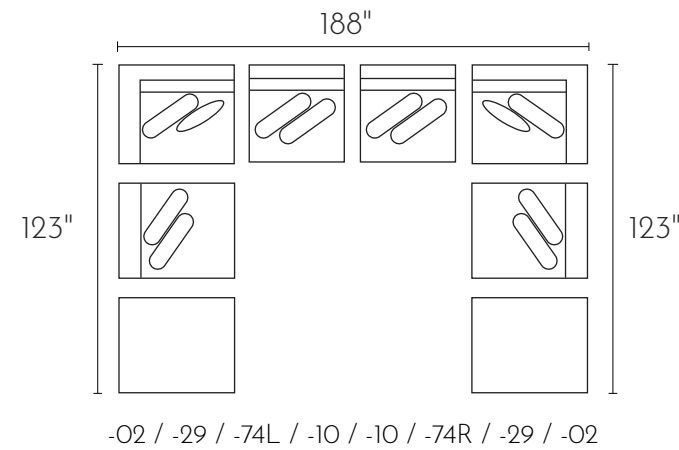




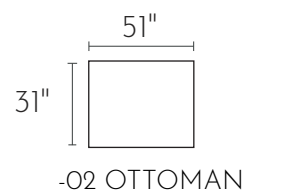
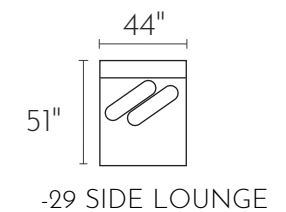
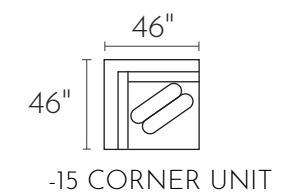
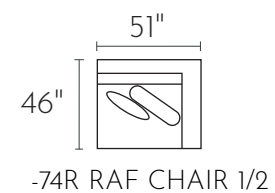
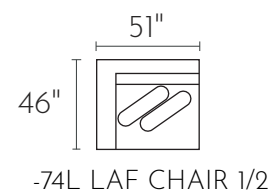
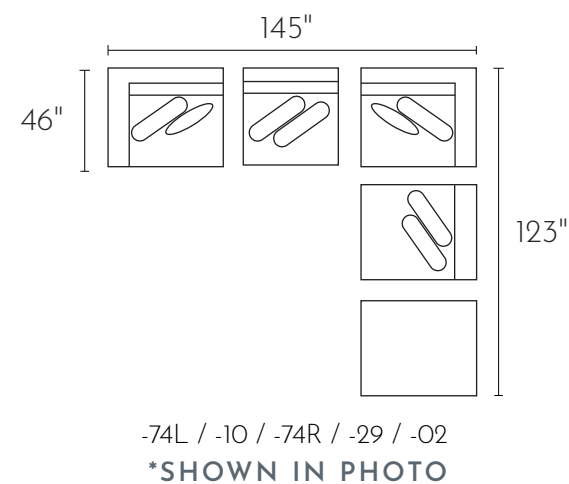
## 024 NOAH

Over-sized and deep-seated, the plush, modular sectional is built for comfort. A heavy baseball stitch helps tailor and streamline the shape. You don't just sit on Noah, you curl up into it!

### \*POPULAR CONFIGURATIONS CONT.



### \*POPULAR CONFIGURATIONS



\*ALL DIMENSIONS ARE APPROXIMATE